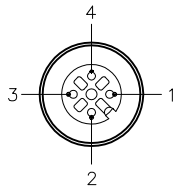


FEMALE END VIEW

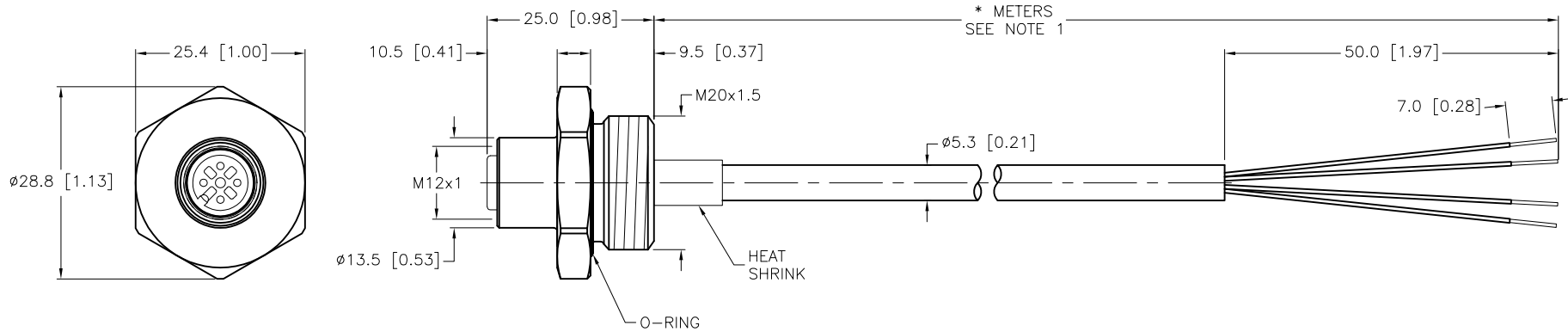


- 1 = BROWN
- 2 = WHITE
- 3 = BLUE
- 4 = BLACK



SPECIFICATIONS

|                               |                                   |
|-------------------------------|-----------------------------------|
| CONTACT CARRIER MATERIAL      | NYLON OR TPU                      |
| CONTACT MATERIAL/PLATING      | BRASS/GOLD                        |
| HOUSING MATERIAL/PLATING      | STAINLESS STEEL/PASSIVATED        |
| O-RING MATERIAL               | NITRILE (BUNA N)                  |
| RATED CURRENT [A]             | 4.0 A                             |
| RATED VOLTAGE [V]             | 250 V                             |
| OUTER JACKET MATERIAL/COLOR   | PVC/GRAY                          |
| CONDUCTOR INSULATION MATERIAL | PVC                               |
| NUMBER OF CONDUCTORS [AWG]    | 4x22 AWG                          |
| TEMPERATURE RANGE             | -40°C to +105°C (-40°F to +221°F) |
| PROTECTION CLASS              | MEETS NEMA 1,3,4,6P AND IEC IP68  |



| CABLE LENGTH | TOLERANCE   |
|--------------|---|
| ALL LENGTHS  | + 4% (OR 50mm) OF LENGTH<br>- 0% (OR 0mm) OF LENGTH<br>WHICHEVER IS GREATER |
| STRIP LENGTH | TOLERANCE   |
| 0-7mm        | ±0.5mm  |
| 8-29mm       | ±1.0mm  |
| 30-49mm      | ±2.0mm  |
| 50-69mm      | ±3.0mm  |
| 70-100mm     | ±4.0mm  |
| OVER 100mm   | ±5.0mm  |

NOTES:

- "\*" INDICATES CABLE LENGTH IN METERS. CONTACT TURCK TO ORDER SPECIFIC LENGTHS.
- "/S717" DESIGNATES RECEPTACLE ASSEMBLED WITH STANDARD CORDSET PVC CABLE.

SOURCE DRAWING - FOR REFERENCE ONLY

|   |   |  |               |  |  |
|---|---|--|---------------|--|--|
| RELATED DOCUMENTS<br>1.<br>2.<br>3.<br>4. | 3RD ANGLE PROJECTION<br>  | THIS DRAWING IS CONFIDENTIAL AND THE PROPERTY OF TURCK INC. USE OF THIS DOCUMENT WITHOUT WRITTEN PERMISSION IS PROHIBITED. |               | <b>TURCK INC</b><br>High Technology Sensors and Automation Controls<br>3000 CAMPUS DRIVE<br>MINNEAPOLIS, MN 55441<br>1-800-544-7769<br>(763) 553-7300<br>(763) 553-0708 fax<br>turck.com |  |
|   | MATERIAL<br>SEE SPECIFICATIONS                                  | DRFT RWC   | DATE 03/14/07 | DESCRIPTION<br>FKV 4.4-*/M20/S717  |  |
| FINISH<br>SEE SPECIFICATIONS              | ALL DIMENSIONS DISPLAYED ON THIS DRAWING ARE FOR REFERENCE ONLY | APVD   | SCALE 1=1.0   | IDENTIFICATION NO.   |  |
| CONTACT TURCK FOR MORE INFORMATION        |   | UNIT OF MEASUREMENT<br><b>MILLIMETER [ INCH ]</b>  |               | REV<br>D   |  |
| DO NOT SCALE THIS DRAWING                 |   | FILE: 777010879  |               | SHEET 1 OF 1   |  |

|     |                       |     |          |         |
|-----|-----------------------|-----|----------|---------|
| D   | UPDATE CABLE DIAMETER | KMY | 04/09/12 | 37143   |
| REV | DESCRIPTION           | BY  | DATE     | ECO NO. |